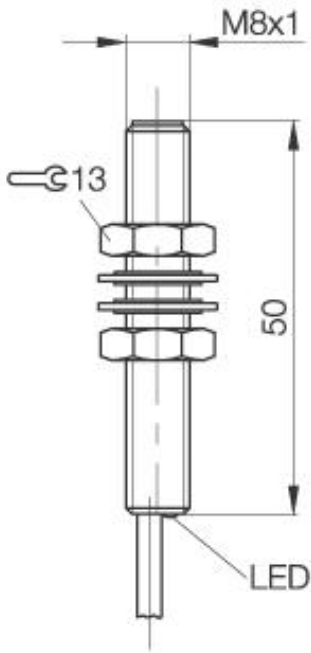


Inductive Sensors
BES M08MI-PSC15B-BV02
M 8 x 50
normally-open
Sn=1,5mm
shielded



PX1571

Common Data

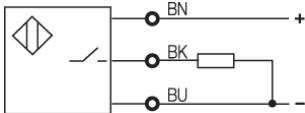
Product name	Black Line shielded
Mounting in steel	1,5mm
Rated operating distance Sn	0...1,2mm
Assured operating distance Sa	≤ 5%
Repeatability R	≤ 15%
Hysteresis	yes
Function indication	-25...+70°C
Ambient temperature range	3
Polution Degree	≤ 30ms
Time delay before availability	

Mechanical Data

Measurements BxHxT or DxT	M 8 x 50mm
Housing material	Nickel plated brass
Material of sensing face	PA 12
Degree of protection	IP67IP
Connection	Cable
Cable type	LiYY-O
Schock: Halfsinus, 30 gn, 11ms	
Vibration: 55 Hz, 1mm Amplitude, 3 x 30 Minutes	

Electrical Data

Current type	DC
Wiring	3-Wire
switching function	normally-open
Output signal	PNP
Rated operational voltage	24 DCV
Rated operational current	100mA
Supply voltage	12...30 DCV
Ripple	≤ 15%
max. switching frequency	600Hz
No-load supply current	≤ 12mA
Off-state current	≤ 20µA
Voltage drop	≤ 3V
Short circuit protection	yes
Protected against polarity reversal	yes



Utilization categories
 Insulation class

DC 13

Datasheet number:

Definitions see general catalog.
 If not otherwise noted, ratings according to IEC 60947-5-2 (DIN EN60947-5-2)

Balluff GmbH
 Schurwaldstrasse 9
 73765 Neuhausen a.d.F.
 Phone (07158) 173-0 Fax (07158) 5010

Datenblatt by CD-ROM - 04/2007

BALLUFF
 sensors worldwide